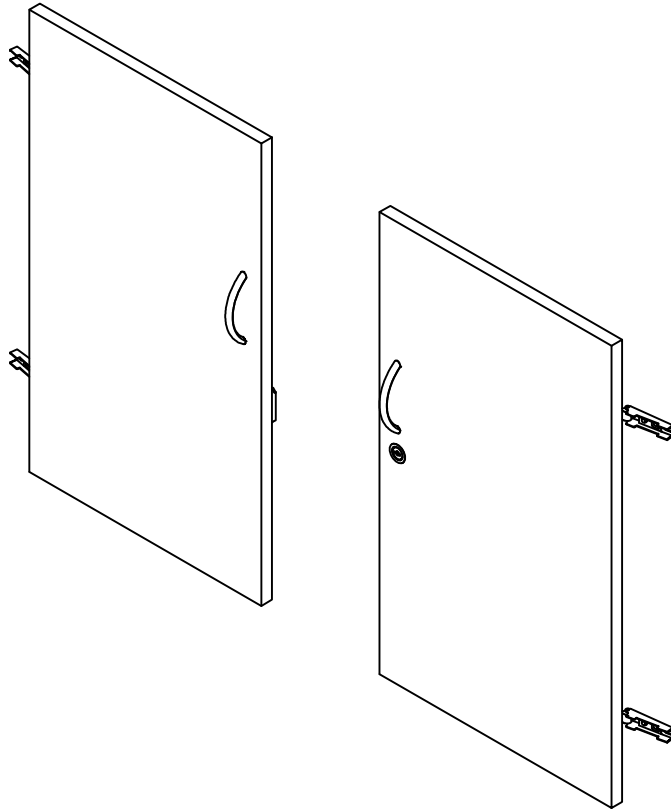


WDS745CD

ASSEMBLY INSTRUCTIONS - PLEASE KEEP FOR FUTURE REFERENCE

682x395x18



IMPORTANT - PLEASE READ THE INSTRUCTIONS FULLY BEFORE STARTING ASSEMBLY

SAFETY AND CARE ADVICE

Important - Please read these instructions fully before starting assembly

- Check you have all the components and tools listed on pages 2 and 3.
- Remove all fittings from the plastic bags and separate them into their groups.
- Keep children and animals away from the work area, small parts could choke if swallowed.
- Make sure you have enough space to layout the parts before starting.
- Do not stand or put weight on the product during assembly, this could cause damage.
- Assemble the item as close to its final position (in the same room) as possible.
- Assemble on a soft level surface to avoid damaging the unit or your floor.
- Parts of the assembly will be easier with 2 people.



• We do not recommend the use of power drill/drivers **for inserting screws**, as this could damage the unit. Only use hand screwdrivers.

- Dispose of all packaging carefully and responsibly.

Care and maintenance

- Only clean using a damp cloth and mild detergent, do not use bleach or abrasive cleaners.
- From time to time check that there are no loose screws on this unit.
- Do not stand on the unit.
- Do not use this unit as step ladder.
- This product should not be discarded with household waste. Take to your local authority waste disposal centre.

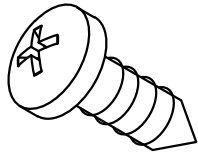
Handy Hints

- Assemble all parts and bolts loosely during assembly, only once the product is complete should you fully tighten the bolts.
- Regularly check and ensure that all bolts and fittings are tightend properly.

COMPONENTS - FIXINGS

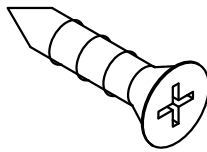
PLEASE CHECK YOU HAVE ALL THE PARTS LISTED BELOW

01



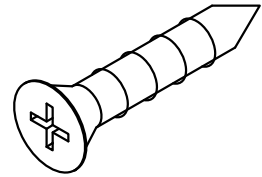
Screws for
Lock Plates, Door Lock
Plate and Locking Hinges
14 x 13 mm (size 3,5)

02



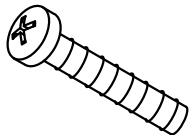
Screws for Hinges and Mounting Plates
16 x 18 mm (size 3,5)

03



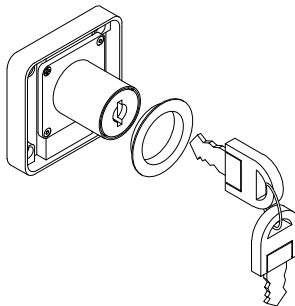
Door Lock Screws
4 x 20 mm (size 4)

04



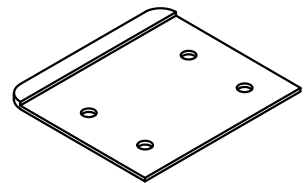
Door Handle Screws
4 x 22 mm (size 4)

05



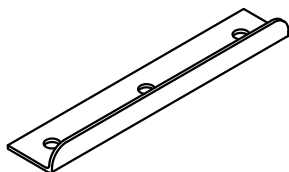
Lock
x 1

06



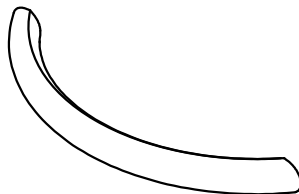
Door Lock Plate
x 1

07



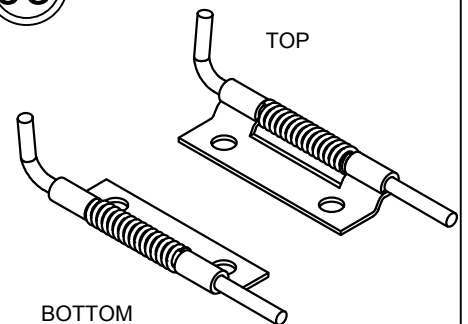
Lock Plate
x 2

08



96 mm Handle x 2

09

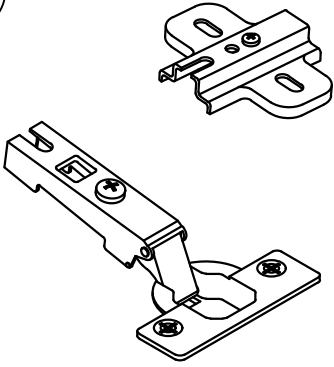


Locking Hinge
x 2 (T&B)

COMPONENTS - FIXINGS

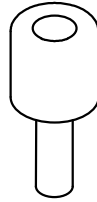
PLEASE CHECK YOU HAVE ALL THE PARTS LISTED BELOW

10



Hinges and Mounting Plates
x 4

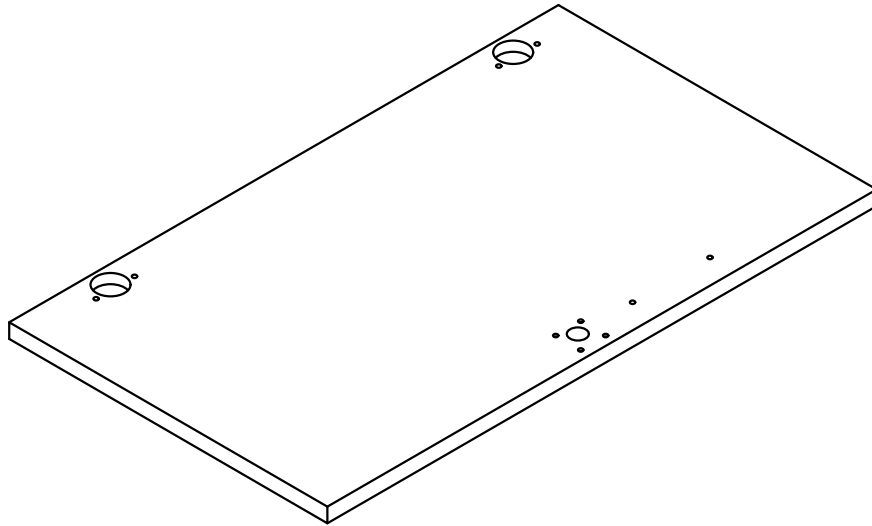
11



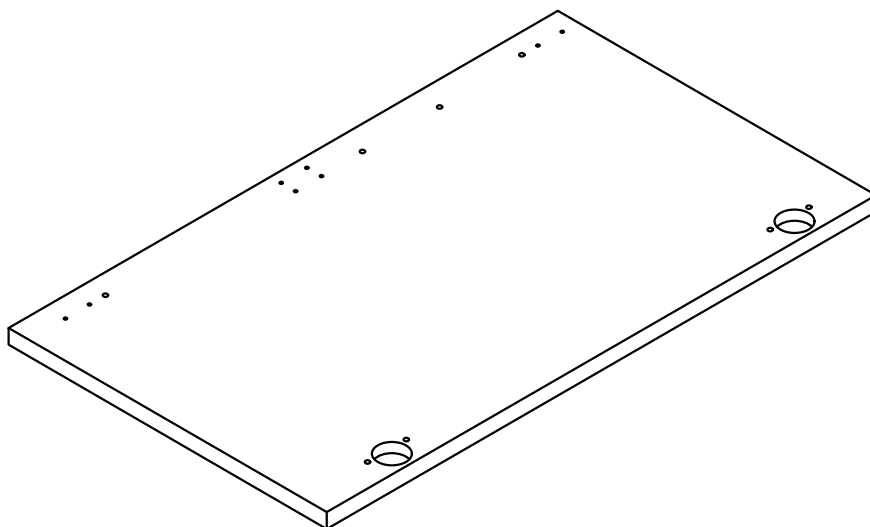
Locking Hinge Stopper
x 2

COMPONENTS - PARTS

PLEASE CHECK YOU HAVE ALL THE PARTS LISTED BELOW



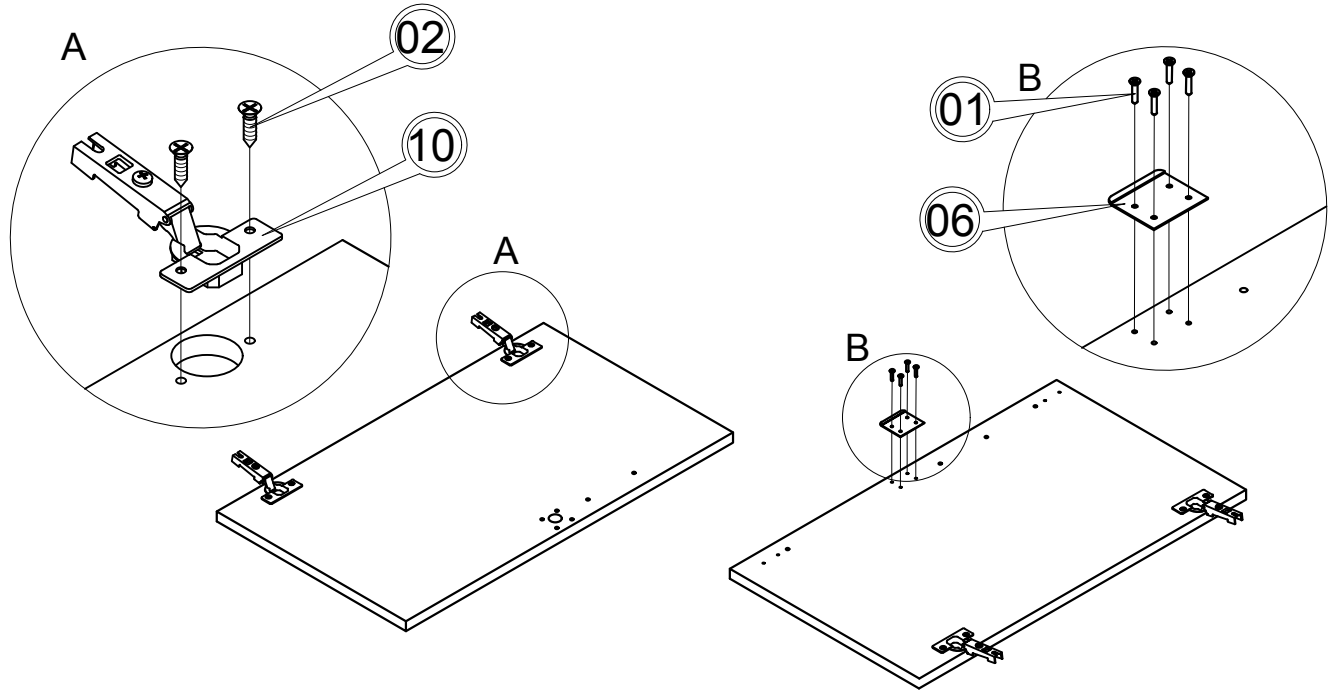
Right Door x 1
682 x 395 x 18



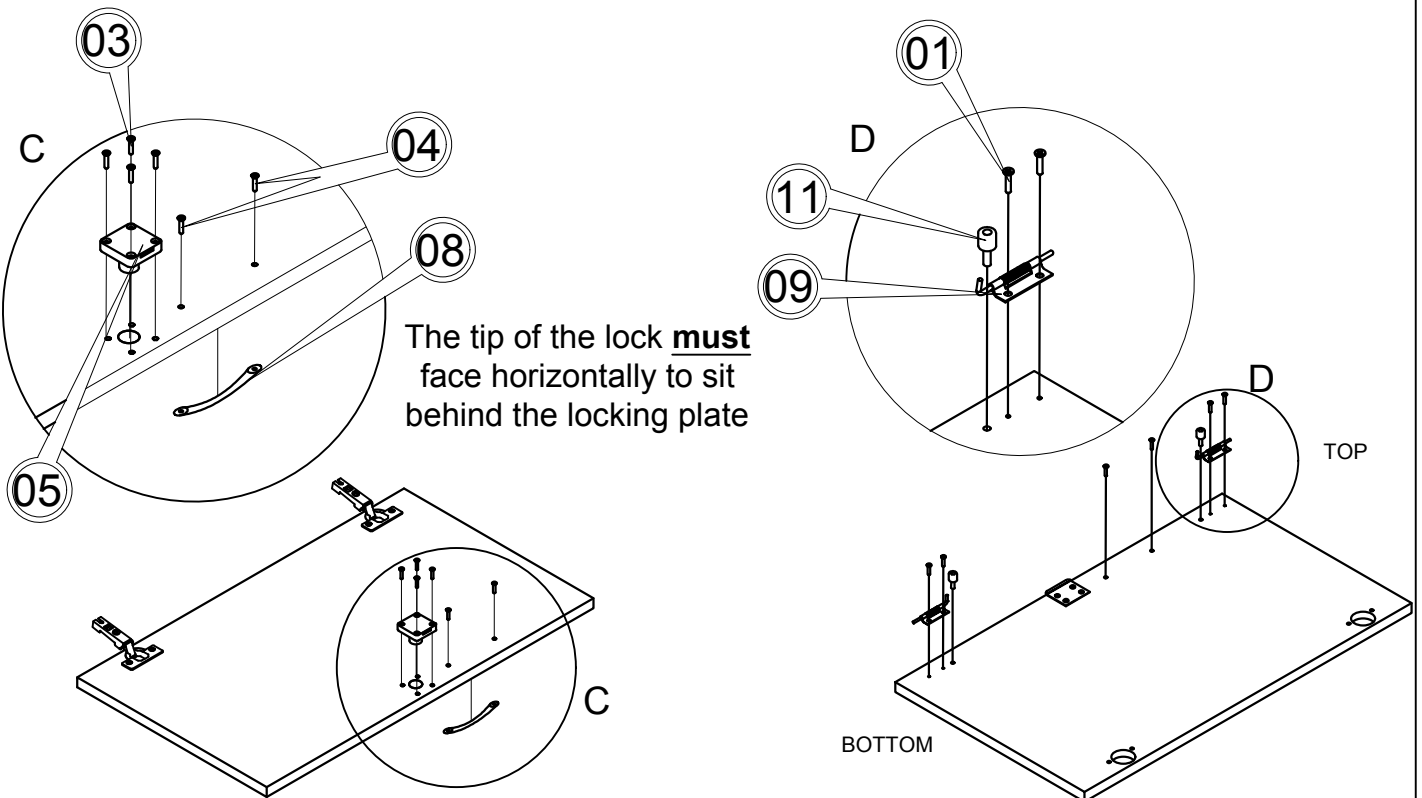
Left Door x 1
682 x 395 x 18

ASSEMBLY INSTRUCTIONS

STEP 1

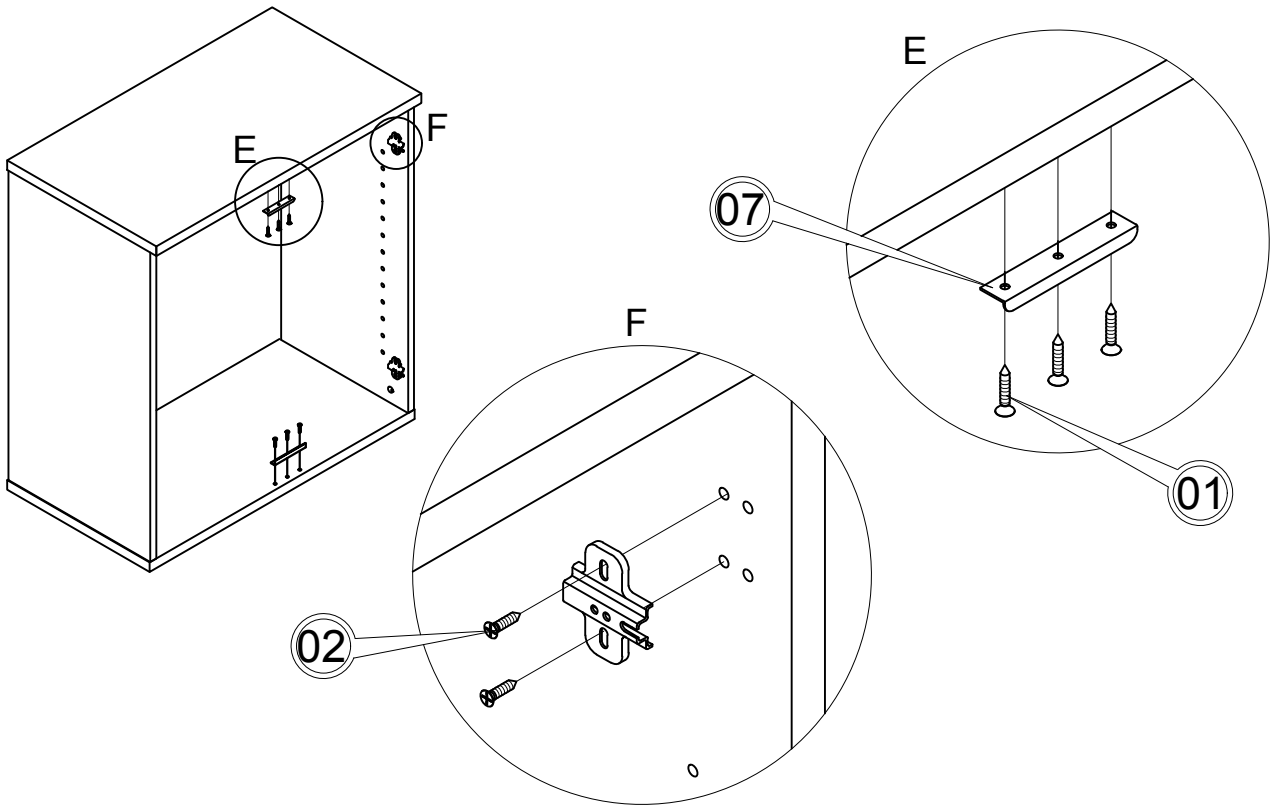


STEP 2



ASSEMBLY INSTRUCTIONS

STEP 3



STEP 4

