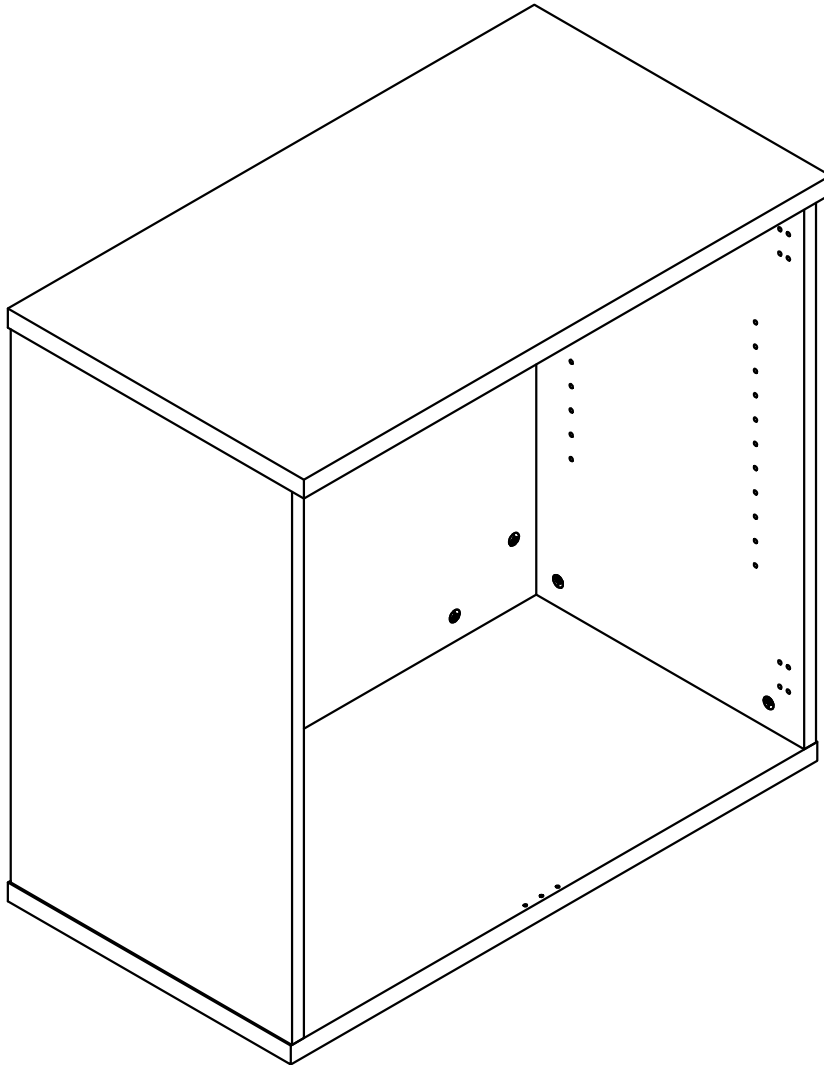


WDS845

ASSEMBLY INSTRUCTIONS - PLEASE KEEP FOR FUTURE REFERENCE


800x450x780



IMPORTANT - PLEASE READ THE INSTRUCTIONS FULLY BEFORE STARTING ASSEMBLY

SAFETY AND CARE ADVICE

Important - Please read these instructions fully before starting assembly

- Check you have all the components and tools listed on pages 2 and 3.
 - Remove all fittings from the plastic bags and separate them into their groups.
 - Keep children and animals away from the work area, small parts could choke if swallowed.
 - Make sure you have enough space to layout the parts before starting.
 - Do not stand or put weight on the product during assembly, this could cause damage.
 - Assemble the item as close to its final position (in the same room) as possible.
 - Assemble on a soft level surface to avoid damaging the unit or your floor.
 - Parts of the assembly will be easier with 2 people.
- 
- We do not recommend the use of power drill/drivers for inserting screws, as this could damage the unit. Only use hand screwdrivers.
 - Dispose of all packaging carefully and responsibly.

Care and maintenance

- Only clean using a damp cloth and mild detergent, do not use bleach or abrasive cleaners.
- From time to time check that there are no loose screws on this unit.
- Do not stand on the unit.
- Do not use this unit as step ladder.
- This product should not be discarded with household waste. Take to your local authority waste disposal centre.

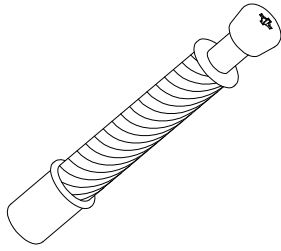
Handly Hints

- Assemble all parts and bolts loosely during assembly, only once the product is complete should you fully tighten the bolts.
- Regularly check and ensure that all bolts and fittings are tightened properly.

COMPONENTS - FIXINGS

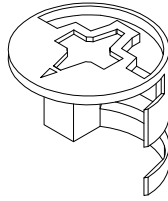
PLEASE CHECK YOU HAVE ALL THE PARTS LISTED BELOW

01



Minifix bolt x 16

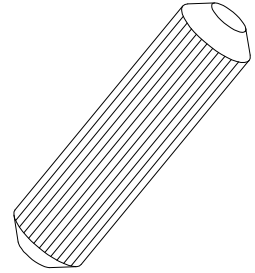
02



The arrow on the cam **must** point towards to nearest edge of the wood panel. Then twist to lock.

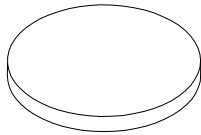
Minifix Cam x 16

03



Dowel x 8

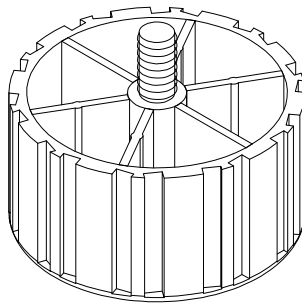
04



To cover the Minifix cam.

Minifix Sticker x 16

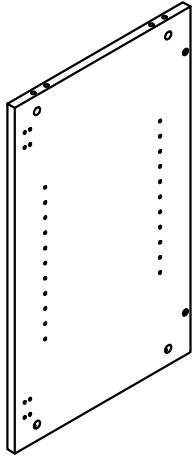
05



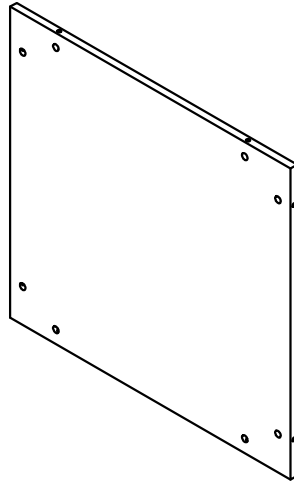
Height Adjustable Foot x 4

COMPONENTS - PARTS

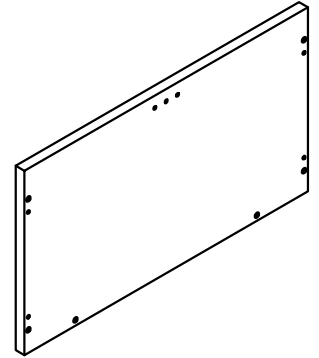
PLEASE CHECK YOU HAVE ALL THE PARTS LISTED BELOW



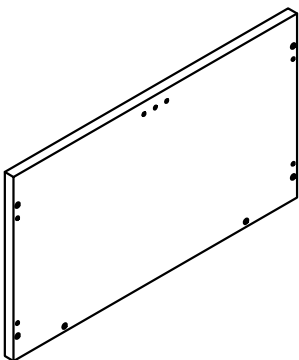
Side x 2 730x428x18



Back x 1 760x730x18



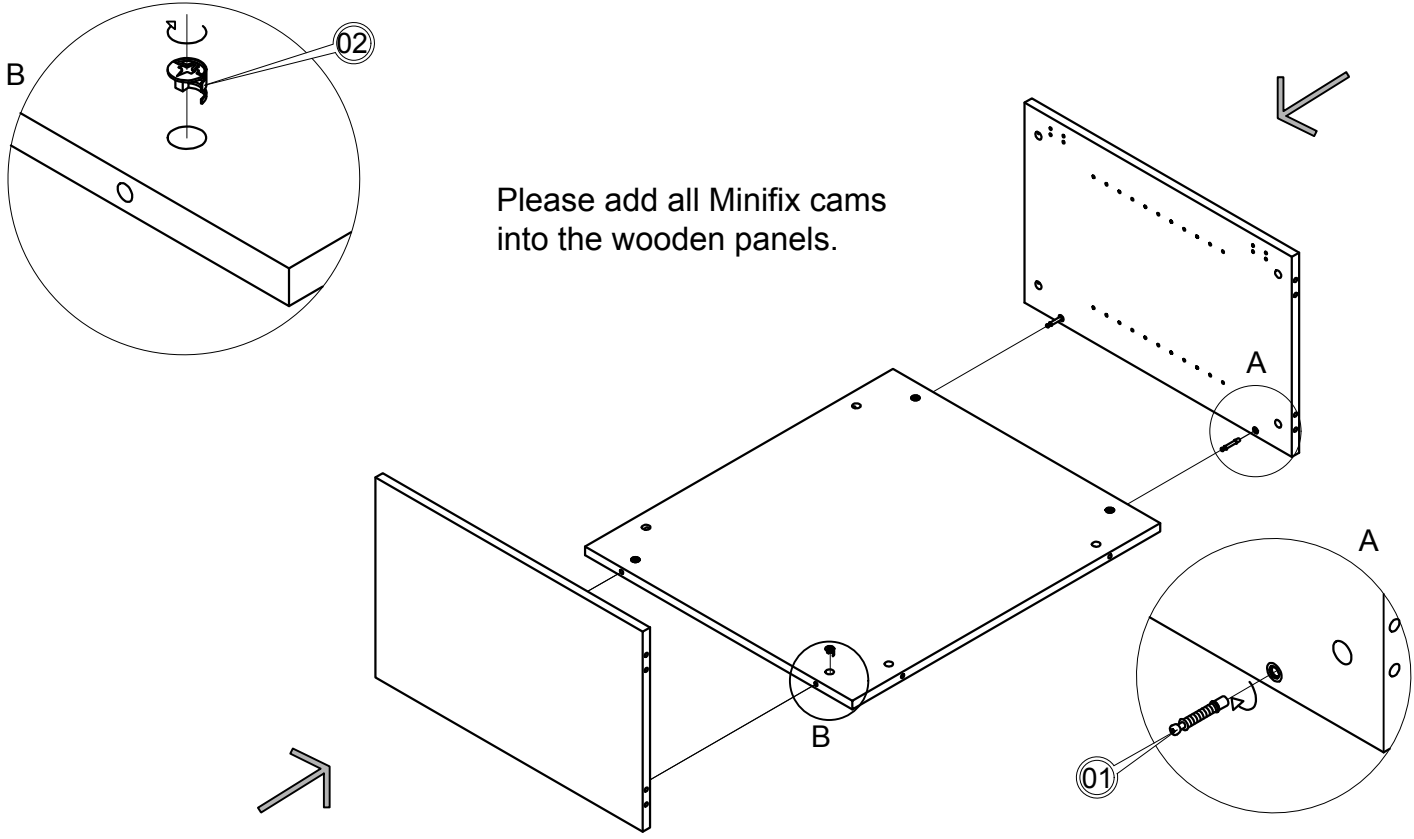
Top x 1 800x450x25



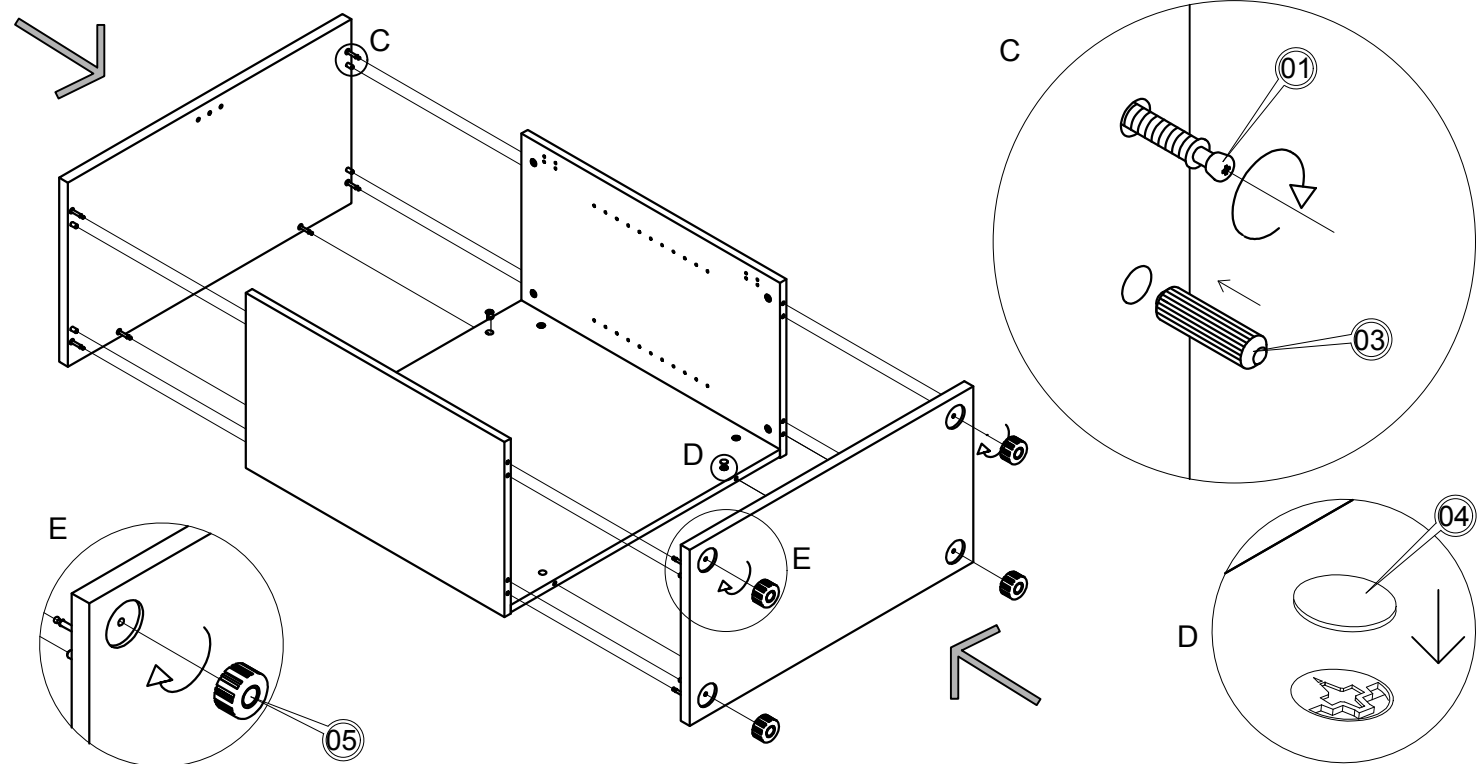
Bottom x 1 800x430x25

ASSEMBLY INSTRUCTIONS

STEP 1



STEP 2



ASSEMBLY INSTRUCTIONS

STEP 3

